

REV.
B

AS4735

FEDERAL SUPPLY CLASS
4730

RATIONALE

CORRECTED PASSIVATION SPECIFICATION AND TYPES AND ADDED PRI-QPL REQUIREMENTS.

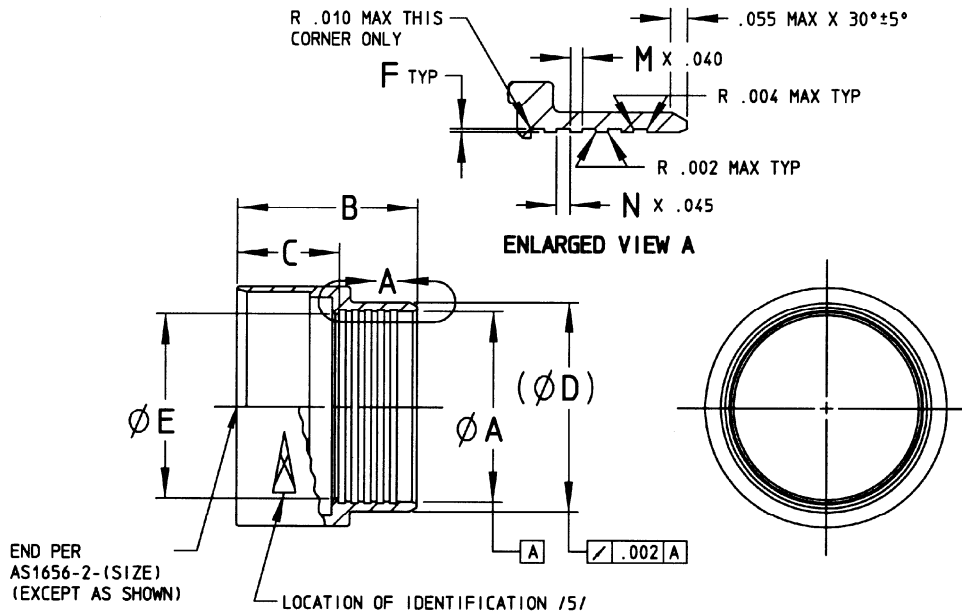


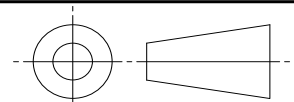
FIGURE 1 - FEMALE FERRULE

TABLE 1 - DIMENSIONS AND WEIGHTS /6/

BASIC NO. AS4735 /14/ SIZE CODE	NOM TUBE SIZE REF	A	B	C	D	E	F	M	N	LB/EA	LB/EA	LB/EA
		±.003	±.010	±.015	REF		±.001			REF ALUM	REF CRES	REF TI
08	.500	.507	.955	.516	.622	.470	.007	3	4	.010	.030	.017
10	.625	.633	.955	.516	.747	.595	.007	3	4	.012	.035	.020
12	.750	.758	1.035	.596	.887	.720	.007	3	4	.018	.050	.028
16	1.000	1.008	1.193	.676	1.139	.970	.008	4	5	.026	.074	.042
20	1.250	1.259	1.193	.676	1.389	1.220	.008	4	5	.031	.088	.050
24	1.500	1.509	1.282	.676	1.639	1.470	.009	5	6	.040	.112	.064
28	1.750	1.759	1.282	.676	1.889	1.720	.009	5	6	.045	.127	.072
32	2.000	2.009	1.322	.706	2.142	1.970	.009	5	6	.053	.151	.086
36	2.250	2.259	1.338	.706	2.392	2.220	.009	5	6	.060	.168	.096
40	2.500	2.510	1.338	.706	2.642	2.470	.011	5	6	.064	.181	.103
48	3.000	3.010	1.338	.706	3.142	2.970	.011	5	6	.074	.210	.119
56	3.500	3.512	1.368	.706	3.642	3.470	.012	6	7	.086	.241	.137
64	4.000	4.012	1.546	.706	4.151	3.970	.013	7	8	.113	.319	.181

SAE values your input. To provide feedback on this Technical Report, please visit <http://www.sae.org/technical/standards/AS4735B>

THIRD ANGLE PROJECTION



CUSTODIAN: G-3/G-3A

PROCUREMENT SPECIFICATION: /4/ AS1650



AEROSPACE STANDARD

FEMALE FERRULE, THREADLESS -
FLEXIBLE, FIXED CAVITY,
SELF-BONDING, SWAGED

AS4735
SHEET 1 OF 3

REV.
B

SAE Technical Standards Board Rules provide that: "This report is published by SAE to advance the state of technical and engineering sciences. The use of this report is entirely voluntary, and its applicability and suitability for any particular use, including any patent infringement arising therefrom, is the sole responsibility of the user." SAE reviews each technical report at least every five years at which time it may be revised, reaffirmed, stabilized, or cancelled. SAE invites your written comments and suggestions.

ISSUED 1995-11 REAFFIRMED 2004-05 REVISED 2015-02